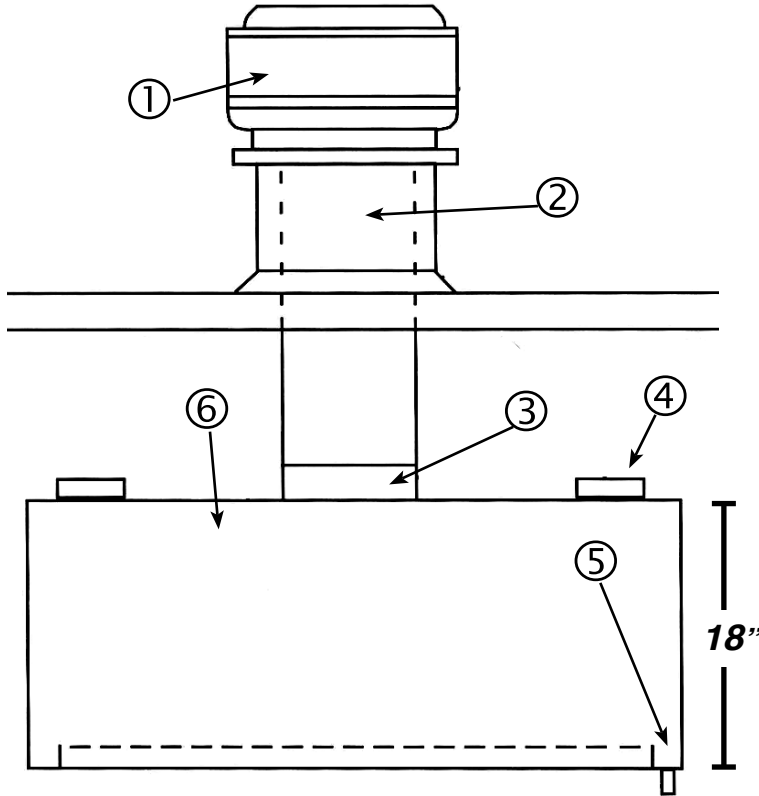




# LAMBERTSON INDUSTRIES

HIGH-QUALITY STAINLESS STEEL

## 18-GAUGE STAINLESS STEEL CLASS II VAPOR HOOD ORDER FORM



DATE	ZIP CODE
CUSTOMER	
ATTENTION	
FAX	
PHONE	-EXT:
EMAIL	
CUSTOMER PO #	
CUSTOMER SERVICE REP	

PAYMENT OPTIONS	<input type="checkbox"/> CREDIT CARD	<input type="checkbox"/> ACCOUNT
CC #		
CC EXP. DATE	SEC#	
APPROVED:	DATE	

Model # HWM-VH - \_\_\_\_\_

QTY	NET PRICE	<input checked="" type="checkbox"/>	OPTIONS REQUIRED
	\$	<input type="checkbox"/>	1 - BELT DRIVE - UP-BLAST ROOF VENTILATOR. UL LISTED SPECIFICATION: LI-UB-
	\$	<input type="checkbox"/>	2 - FIXED VENTILATION CURB: LI-FVC-
	\$	<input type="checkbox"/>	3 - 3" S/S DUCT COLLAR (WELDED IN POSITON)
	\$	<input type="checkbox"/>	4 - HOOD HANGER BRACKETS (SET OF 4)
	INCLUDED	<input checked="" type="checkbox"/>	5 - VAPOR DRIP
	\$	<input checked="" type="checkbox"/>	6 - HWM-VH-      LENGTH      WIDTH
	\$	<input type="checkbox"/>	7 - GREASE PROOF LIGHTS - UL LISTED

PURCHASE TOTAL \$		+ FREIGHT \$		GRAND TOTAL \$	
-------------------	--	--------------	--	----------------	--

1335 ALEXANDRIA COURT  
SPARKS, NV 89434

LAMBERTSON INDUSTRIES, INC.  
PHONE 775 · 857 · 1100  
TOLL-FREE 800 · 548 · 3324  
FAX 775 · 857 · 3289

WWW.LAMBERTSON.COM  
SALES@LAMBERTSON.COM

