

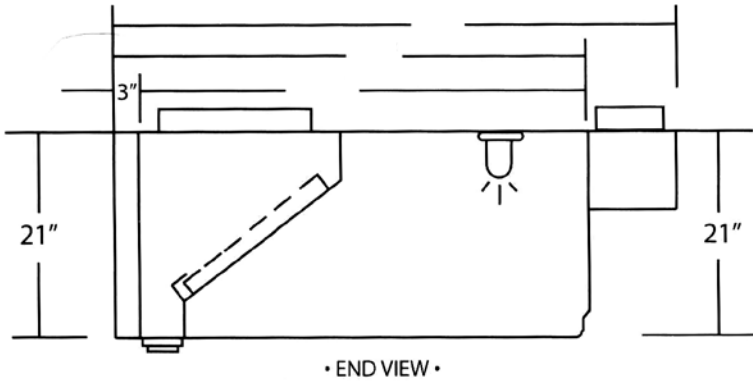


LAMBERTSON INDUSTRIES

HIGH-QUALITY STAINLESS STEEL



LAMBERTSON STAINLESS STEEL HOODS ARE FULLY
U.L. LISTED AND MANUFACTURED TO U.L. 710 STANDARDS

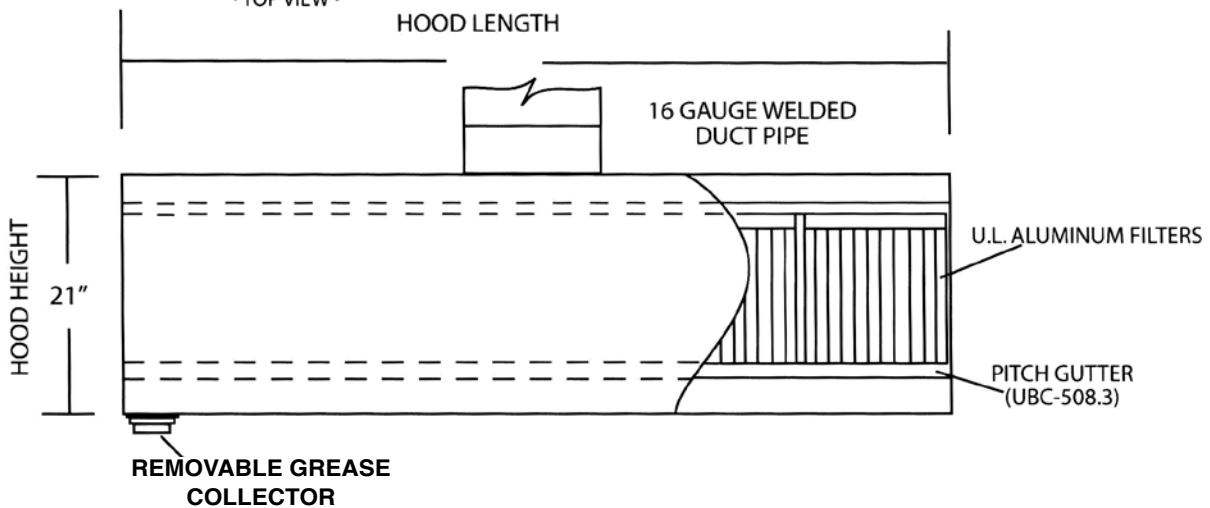
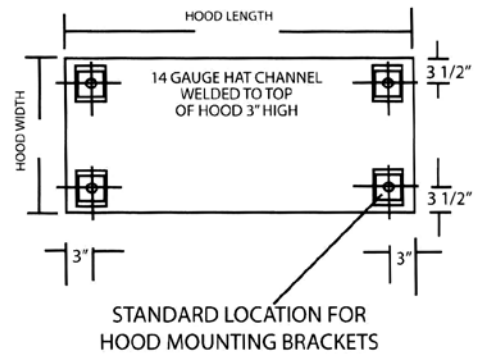
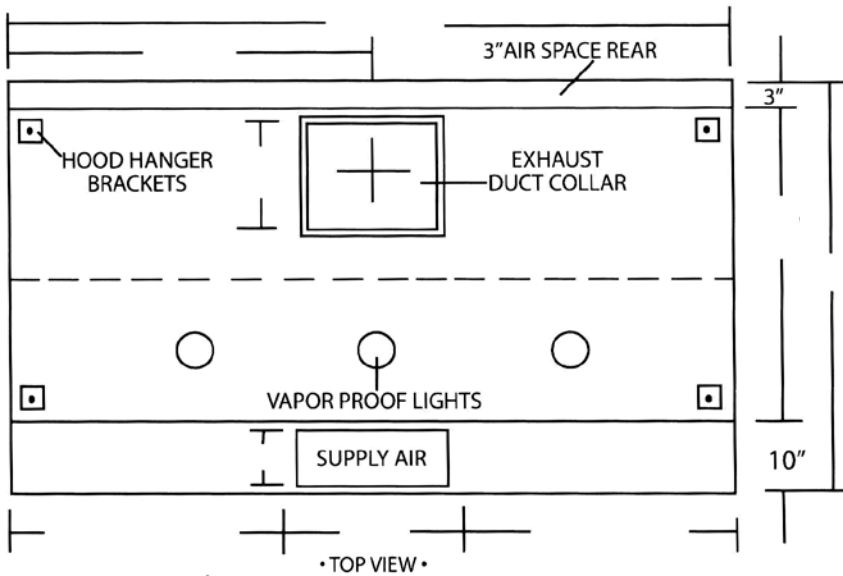


STAINLESS STEEL HOOD
WITH SINGLE SUPPLY AIR
48" - 60" U.L. LISTED

MODEL # UL-BH-_____
18 GAUGE
(UBC-508.2)



Approved with UL710 Standards
Designed for 400 Cooking Equipment
Approved with UL710 Standards
Designed for 600 Cooking Equipment



LAMBERTSON STAINLESS STEEL PRODUCTS ARE **NSF** CERTIFIED AND MEET STANDARD #2-DO21814

1335 ALEXANDRIA COURT
SPARKS, NV 89434

LAMBERTSON INDUSTRIES, INC.
PHONE 775 · 857 · 1100
TOLL-FREE 800 · 548 · 3324
FAX 775 · 857 · 3289
HOOD SCHEMATICS - 7

WWW.LAMBERTSON.COM
SALES@LAMBERTSON.COM



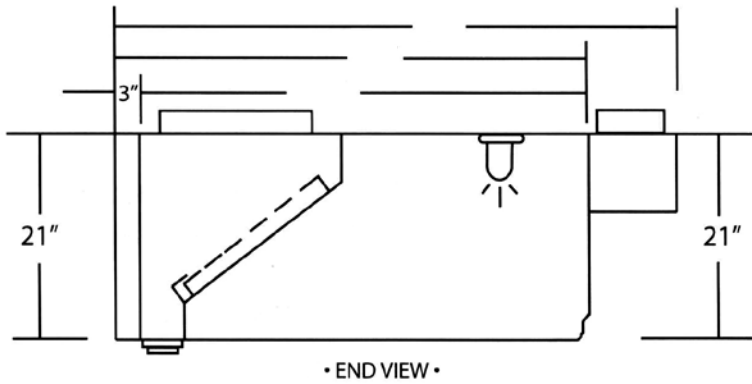


LAMBERTSON INDUSTRIES

HIGH-QUALITY STAINLESS STEEL



LAMBERTSON STAINLESS STEEL HOODS ARE FULLY
U.L. LISTED AND MANUFACTURED TO U.L. 710 STANDARDS

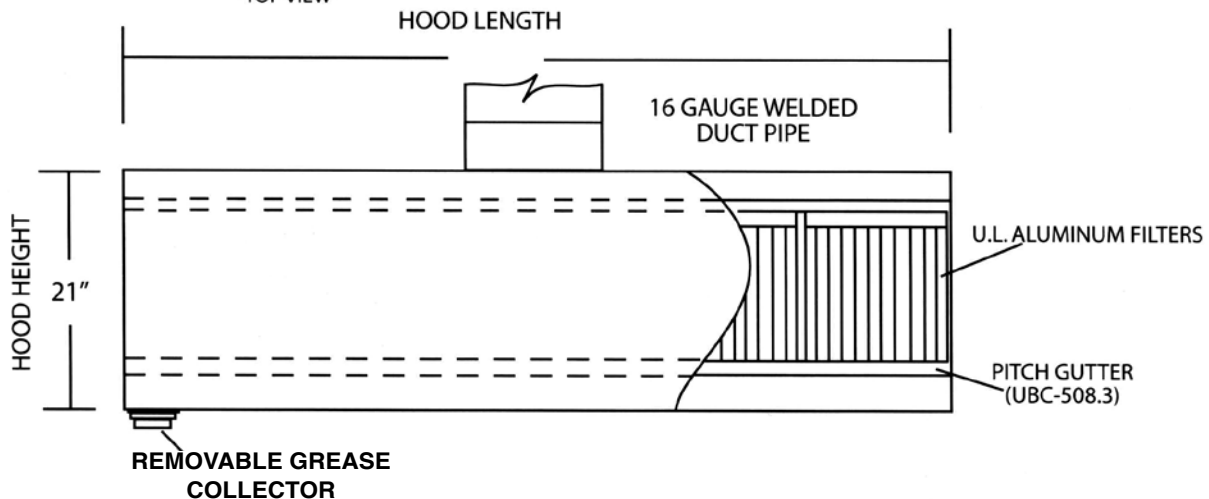
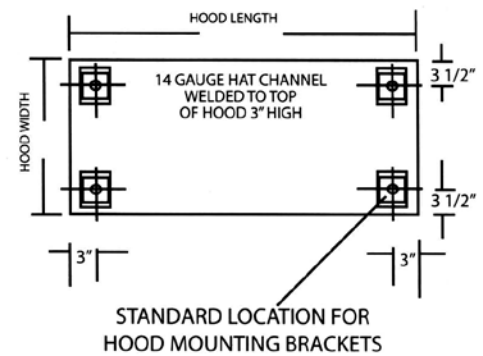
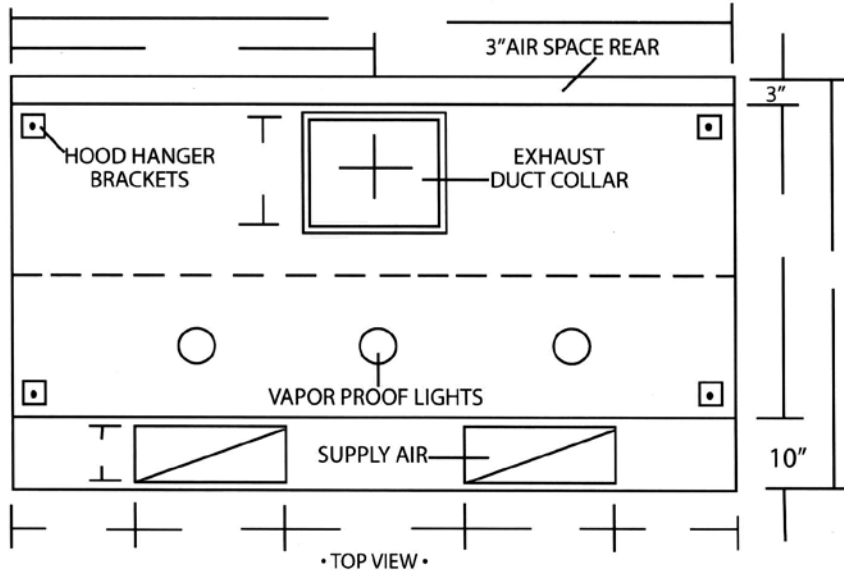


STAINLESS STEEL HOOD
WITH DUAL SUPPLY AIR
48" - 60" U.L. LISTED

MODEL # UL-BH-_____
18 GAUGE
(UBC-508.2)



Approved with UL710 Standards
Designed for 400' Cooking Equipment
Approved with UL710 Standards
Designed for 600' Cooking Equipment



LAMBERTSON STAINLESS STEEL PRODUCTS ARE **NSF** CERTIFIED AND MEET STANDARD #2-DO21814

1335 ALEXANDRIA COURT
SPARKS, NV 89434

LAMBERTSON INDUSTRIES, INC.
PHONE 775 · 857 · 1100
TOLL-FREE 800 · 548 · 3324
FAX 775 · 857 · 3289
HOOD SCHEMATICS - 8

WWW.LAMBERTSON.COM
SALES@LAMBERTSON.COM

